



FL™ SERIES

PRODUCT SERIES OVERVIEW



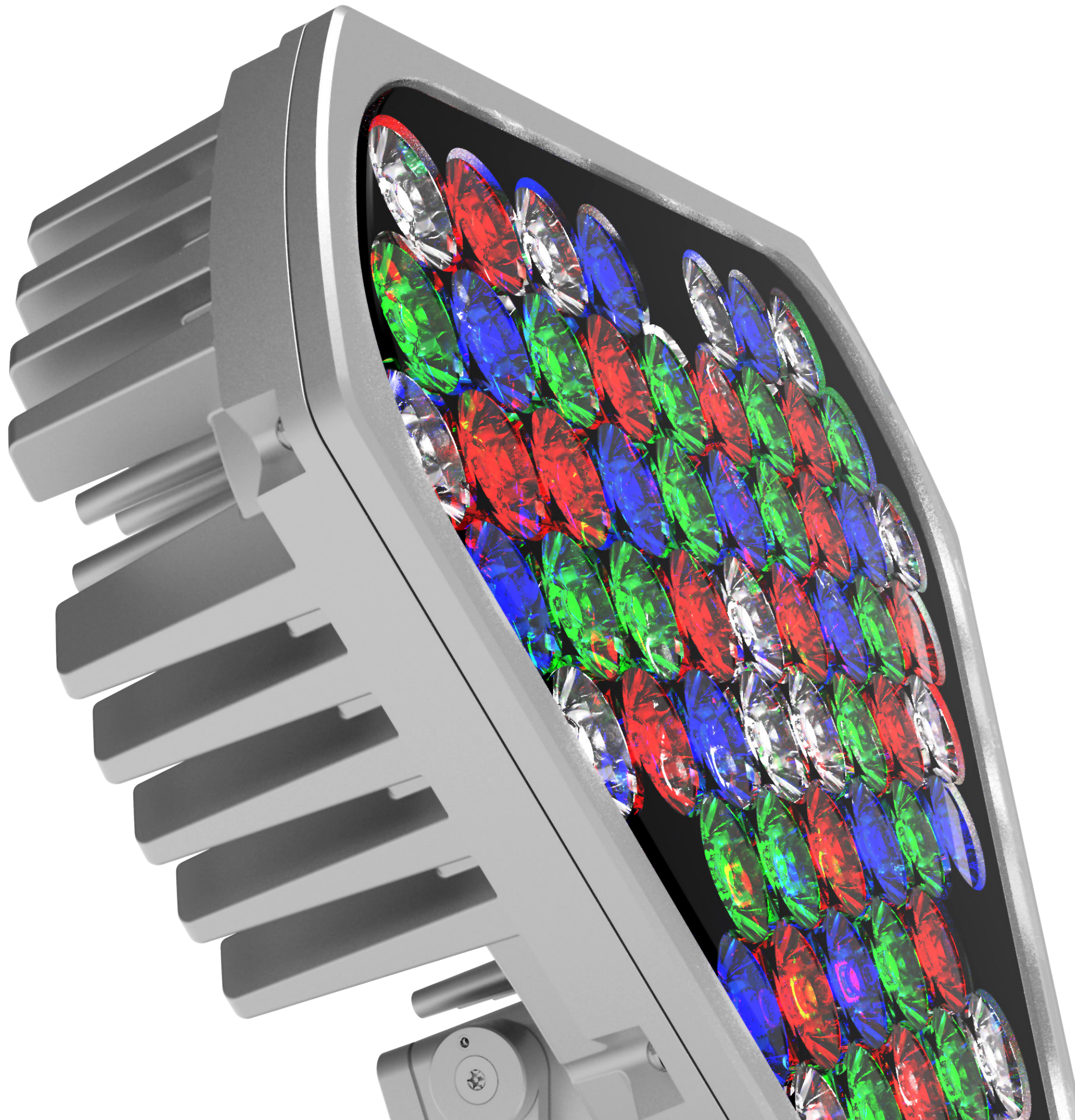


TABLE OF CONTENTS

INTRODUCTION	02-03
PRODUCT HIGHLIGHTS	04-09
PRODUCT INDEX	10-11
MONOCHROMATIC PRODUCTS	12-17
MONOCHROMATIC PROJECTS	18-21
RGBW-IM (INNER-MIXING) PRODUCTS	22-27
RGBW-IM (INNER-MIXING) PROJECTS	28-31
RGBW-OM (OUTER-MIXING) PRODUCTS	32-37

ADVANCED ARCHITECTURAL SPOT & FLOOD LIGHT FL™ SERIES

The FL™ Series of luminaires are high performance, specification-grade LED spot & flood lights, available in four power options and sizes. Each size option is significantly smaller and lighter compared to competing luminaires on the market and delivers industry-leading light output with COLOR-AMP® Technology¹.

With a robust body design, over 100,000 standard configurable options, color-changing and monochromatic LED options, and designed for versatility, the series meets requirements for any architectural wall-grazing, wall-washing, or spot lighting application.



1. For color-changing configurations only



FL™ SERIES

HIGH POWER ARCHITECTURAL SPOT & FLOOD LED LIGHT

SPECIFICATIONS

DELIVERED LUMENS: up to 16,500 lm¹

LIGHT SOURCE: High power LEDs

OPTICAL DISTRIBUTIONS: 3.2° to 90°

POWER: 25W, 50W, 100W, or 200W

INPUT VOLTAGE: ELV (48VDC), INF (380VDC) or AC (85~264VAC or 85~277VAC)

CONTROL: DMX, DALI, 0-10V via GVA power-data equipment

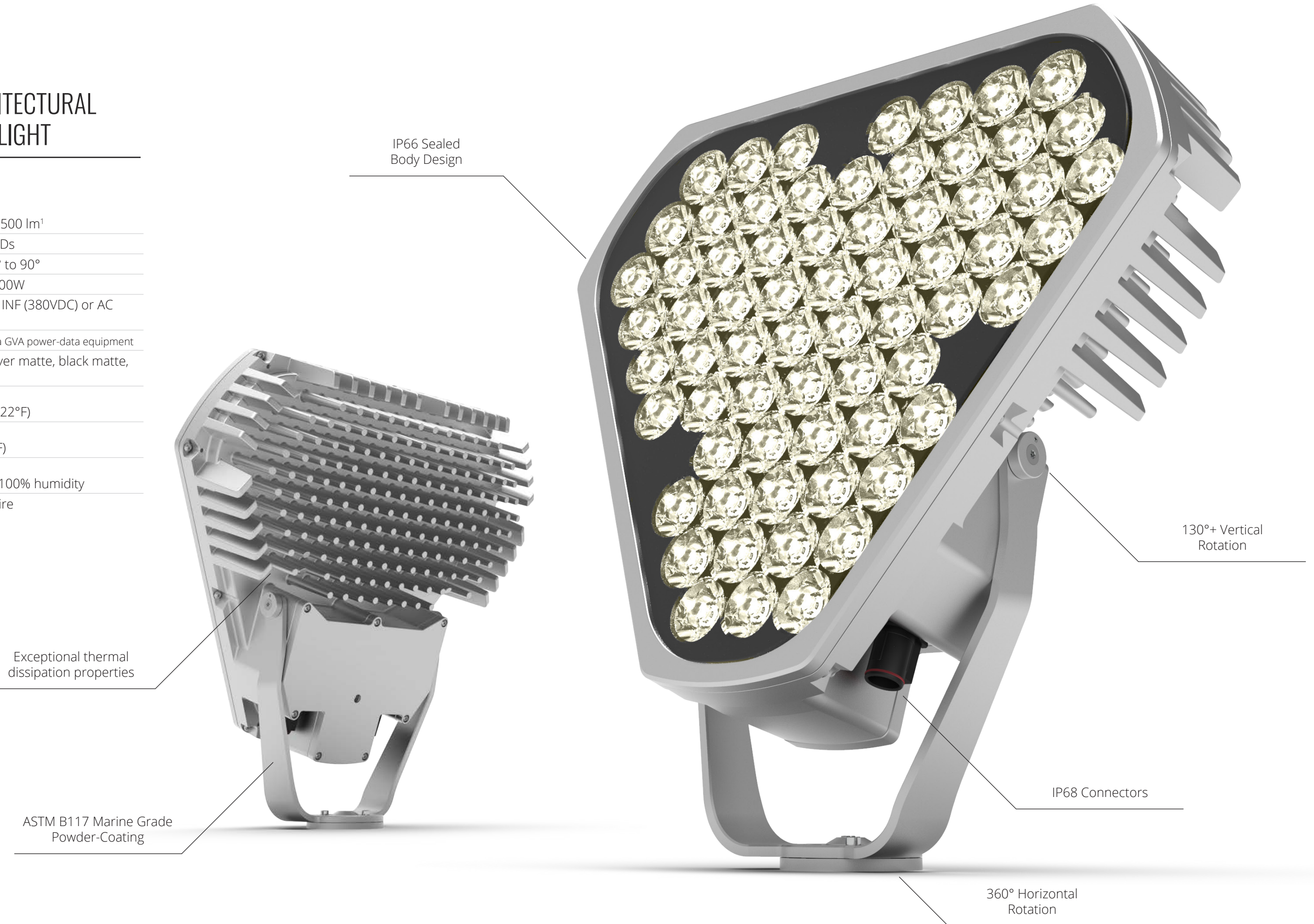
BODY FINISH: White matte, silver matte, black matte, or custom powder-coated

PROJECTED LIFETIME:
L70 > 60,000hrs @ Ta = 50°C (122°F)

OPERATING TEMPERATURE:
-40°C to +50°C (-40°F to +122°F)

ENVIRONMENT:
Dry, Damp or Wet Locations, 0-100% humidity

IEC CLASS: Class 1 LED Luminaire



IP66 Sealed
Body Design

Exceptional thermal
dissipation properties

ASTM B117 Marine Grade
Powder-Coating

130°+ Vertical
Rotation

IP68 Connectors

360° Horizontal
Rotation

MORE THAN 100,000 CONFIGURATIONS OF FL™

Every lighting project is unique, each with a unique set of requirements. With thousands of standard configurations, versatile mounting options, and the ability to customize our products, GVA Lighting can provide a luminaire ideally suited for any project.



BODY COLORS

Standard silver, white, and black matte and custom color options

OPTICAL ACCESSORIES

Modular visor and barndoor accessories

INPUT VOLTAGE

ELV (48VDC), INF (380VDC) or AC (85~264VAC or 85~277VAC)



LED COLORS

Range of monochromatic LED color options, or color-changing OM (Outer-Mixing) or IM (Inner-Mixing) RGBW, RGBA, or Dynamic White

OPTICAL DISTRIBUTION

From 3.2° to 90° with elliptical distribution options

MOUNTING OPTIONS

120 mm or 180 mm surface mount brackets, 300 mm to 500mm cantilever brackets, low profile bracket, tenon mount, or pole mount

TIME-PROVEN DURABILITY & A STANDARD 5-YEAR WARRANTY

The robust body of the FL™ Series is designed to withstand some of the harshest outdoor environments. The series is IP66 rated against high pressure water jets and meets the requirements of ANSI C136.31-2010 to withstand the intense vibrations of bridge and overpass installations.

All of the FL™ luminaires are outfitted with temperature sensing software to automatically protect from overheating in extreme environments and the superior grade powder-coated aluminum body resists corrosion over time. All these features are backed by a standard 5-year warranty.



SUPPORTED BY INDUSTRY-LEADING TECHNOLOGY

Developed in-house and proprietary to GVA Lighting, these technologies ensure that our architectural luminaires outperform competing fixtures.

INFINITY[®] GVA TECHNOLOGY

DC Lighting circuits 300+ m (1000+ ft) from a single power & data input

COLOR-AMP[®] GVA TECHNOLOGY

Industry-leading light output achieved by utilizing all of the luminaires' available power

PRODUCT INDEX



FL200™ MONO | 14



FL100™ MONO | 15



FL50™ MONO | 16



FL25™ MONO | 17



FL200™ IM | 20



FL100™ IM | 21



FL50™ IM | 22



FL25™ IM | 23



FL200™ OM | 26



FL100™ OM | 27



FL50™ OM | 28

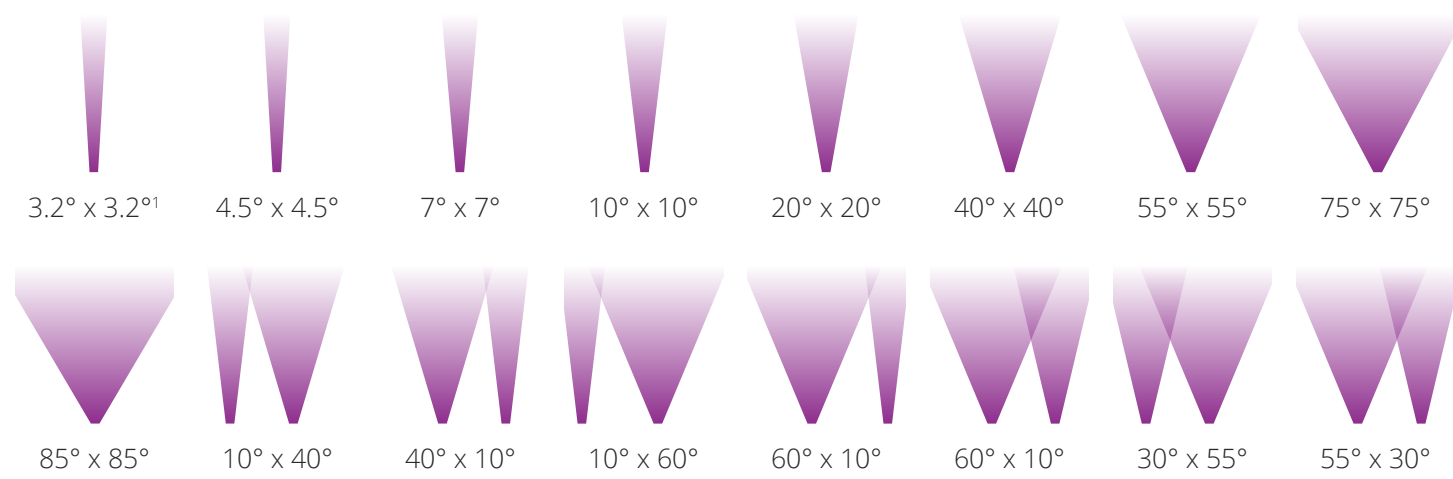


FL25™ OM | 29

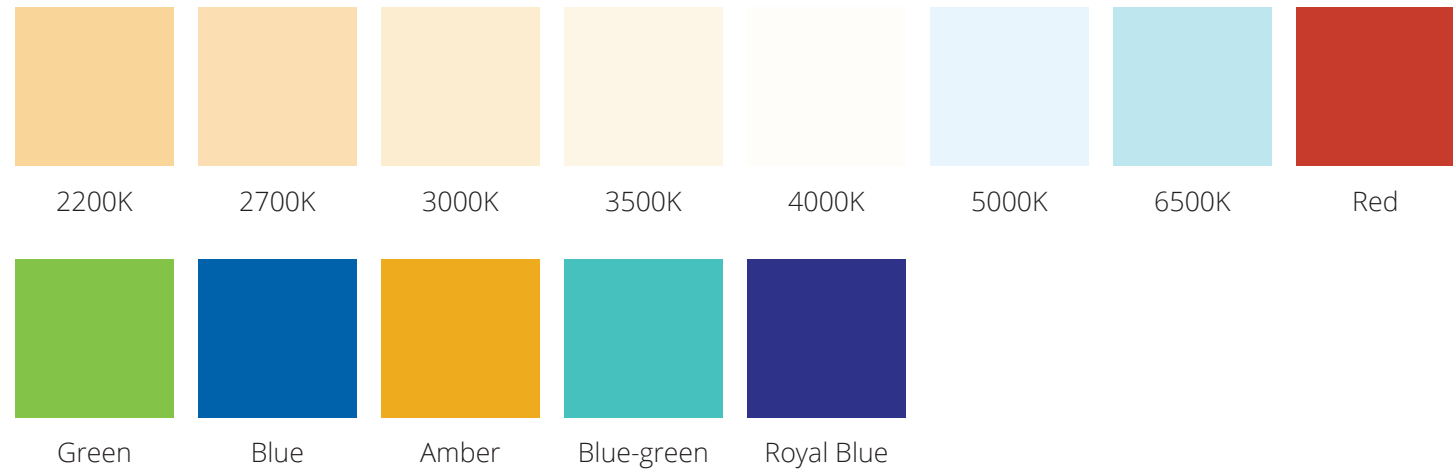
MONOCHROMATIC

Static color with up to 16,500 delivered lumens in some configurations, available in an ultra narrow 3.2° optical distribution configuration, and configurable with a wide range of LED colors.

OPTICAL DISTRIBUTIONS



LED COLORS



1. 3.2° optical distribution option available with red, green, blue, and 6500K white LED color options.



FL200™ MONO

MONOCHROMATIC ARCHITECTURAL SPOT & FLOOD LED LIGHT

SPECIFICATIONS

DELIVERED LUMENS: up to 16,500 lm

EFFICACY: up to 83 lm/W

LIGHT SOURCE: 69 x High Power LEDs

CRI: 80 or 90

POWER: 200~235W

INPUT VOLTAGE: ELV (48VDC), INF (380VDC) or AC (85~264VAC or 85~277VAC)

WEIGHT: 8.5kg (18.7lbs)

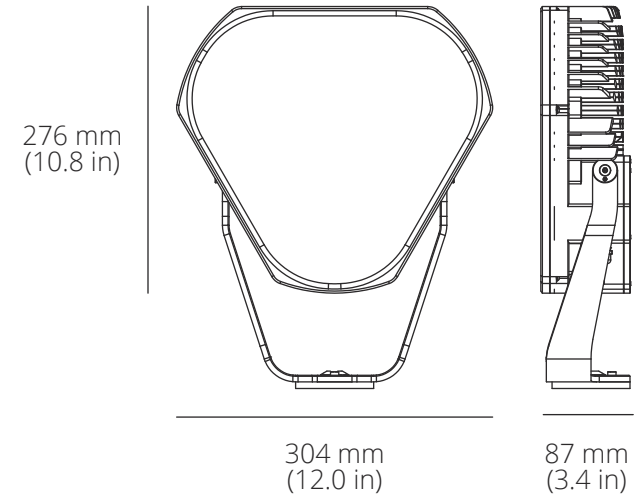
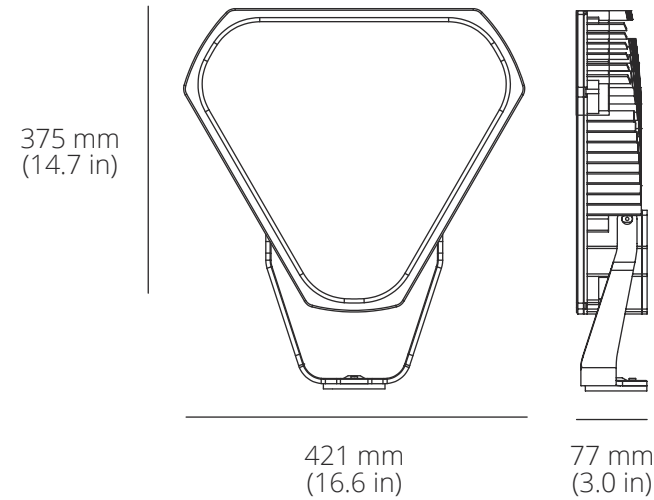
CONTROL: DMX, DALI, 0-10V via GVA power-data equipment

PROJECTED LIFETIME: L70 > 60,000hrs @ T_a = 50°C (122°F)

OPERATING TEMPERATURE: -40°C to +50°C (-40°F to +122°F)

ENVIRONMENT: Dry, Damp or Wet Locations, 0-100% humidity

IEC CLASS: Class 1 LED Luminaire



FL100™ MONO

MONOCHROMATIC ARCHITECTURAL SPOT & FLOOD LED LIGHT

SPECIFICATIONS

DELIVERED LUMENS: up to 10,300 lm

EFFICACY: up to 103 lm/W

LIGHT SOURCE: 36 x High Power LEDs

CRI: 80 or 90

POWER: 100~120W

INPUT VOLTAGE: ELV (48VDC), INF (380VDC) or AC (85~264VAC or 85~277VAC)

WEIGHT: 5.0 kg (11 lbs)

CONTROL: DMX, DALI, 0-10V via GVA power-data equipment

PROJECTED LIFETIME: L70 > 60,000hrs @ T_a = 50°C (122°F)

OPERATING TEMPERATURE: -40°C to +50°C (-40°F to +122°F)

ENVIRONMENT: Dry, Damp or Wet Locations, 0-100% humidity

IEC CLASS: Class 1 LED Luminaire



FL50™ MONO

MONOCHROMATIC ARCHITECTURAL SPOT & FLOOD LED LIGHT

SPECIFICATIONS

DELIVERED LUMENS: up to 3,000 lm

EFFICACY: up to 60 lm/W

LIGHT SOURCE: 18 x High Power LEDs

CRI: 80 or 90

POWER: 50~60W

INPUT VOLTAGE: ELV (48VDC), INF (380VDC) or AC (85~264VAC or 85~277VAC)

WEIGHT: 3.0 kg (6.6 lbs)

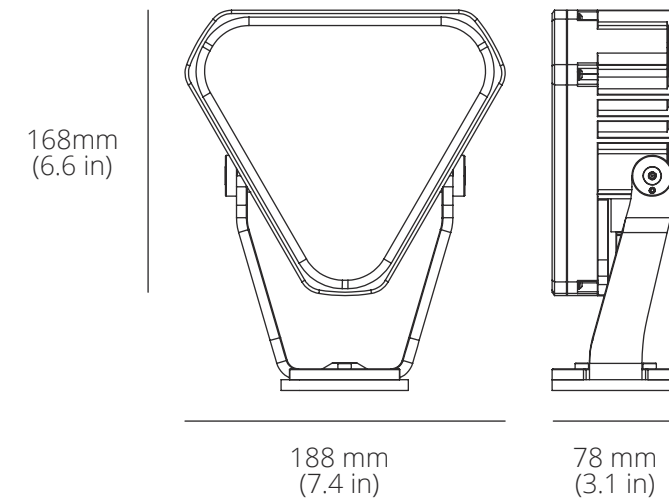
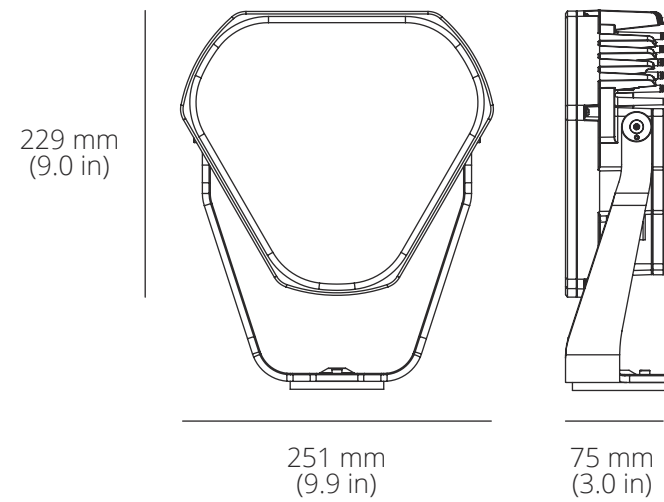
CONTROL: DMX, DALI, 0-10V via GVA power-data equipment

PROJECTED LIFETIME: L70 > 60,000hrs @ T_a = 50°C (122°F)

OPERATING TEMPERATURE: -40°C to +50°C (-40°F to +122°F)

ENVIRONMENT: Dry, Damp or Wet Locations, 0-100% humidity

IEC CLASS: Class 1 LED Luminaire



FL25™ MONO

MONOCHROMATIC ARCHITECTURAL SPOT & FLOOD LED LIGHT

SPECIFICATIONS

DELIVERED LUMENS: up to 1,900 lm

EFFICACY: up to 76 lm/W

LIGHT SOURCE: 10 x High Power LEDs

CRI: 80 or 90

POWER: 25~30W

INPUT VOLTAGE: ELV (48VDC), INF (380VDC) or AC (85~277VAC)

WEIGHT: 2.0 kg (4.4 lbs)

CONTROL: DMX, DALI, 0-10V via GVA power-data equipment

PROJECTED LIFETIME: L70 > 60,000hrs @ T_a = 50°C (122°F)

OPERATING TEMPERATURE: -40°C to +50°C (-40°F to +122°F)

ENVIRONMENT: Dry, Damp or Wet Locations, 0-100% humidity

IEC CLASS: Class 1 LED Luminaire



TORONTO CARPET FACTORY

FL50™ MONO

FL50™ MONO luminaries with a tight 4 degree optical distribution now illuminate the West facing wall of the Toronto Carpet Factory in Liberty Village, Toronto. The district is iconic for its industrial brick buildings, built in the late 1800's and more recently converted into trendy cafes and office spaces for a community of innovative businesses. The Carpet Factory fills an entire city block, buildings cloistered around a powerhouse and smokestack, part of the second phase of lighting soon to be installed. Currently 125 businesses call the landmark home.

Classic monochromatic lighting and black matte finished luminaries compliment the historic brick structure and highlight its timeless demeanor. INFINITY® Technology accommodates long runs so as to have minimal intrusion on the classic exterior.

LED COLOR: 4000K

OPTICAL DISTRIBUTION: 4.5°

INPUT POWER: INFINITY Technology (380VDC)

LOCATION: Toronto, Canada

SPECIFIER: ELECTRO-WORKS LTD.



FARRIS BRIDGE

FL100™ MONO

Farris Bridge, accommodating the growing E18 motorway, is a new and defining feature of the town of Larvik, Norway. Its concrete towers extend 70 meters above the Farris waterway, illuminated by FL100™ 4000K monochromatic luminaires. FL100™ luminaires with tight 7° beam angles trace the lines of stay cables that are highlighted arching across the 120 meter expanse of the middle portion of the bridge.

These spot luminaires are outfitted with optical glare control accessories to ensure that drivers in passing vehicles are not hindered by direct view of the luminaires but can still appreciate the majestic architecture. All GVA Lighting luminaires installed on this project were configured with AC input voltage, eliminating the need for extra power supplies and reducing the complexity of the installation.

LED COLOR: 4000K

OPTICAL DISTRIBUTION: 7°, 40° X 10°

INPUT VOLTAGE: AC (85~264VAC)

QUANTITY OF LUMINAIRES: 14

LOCATION: Larvik, Norway

LIGHTING DESIGNER: Kathrine Hjelmset /
Per Øyvind Lunach – Rambøll AS

SPECIFIER: Rebel Light

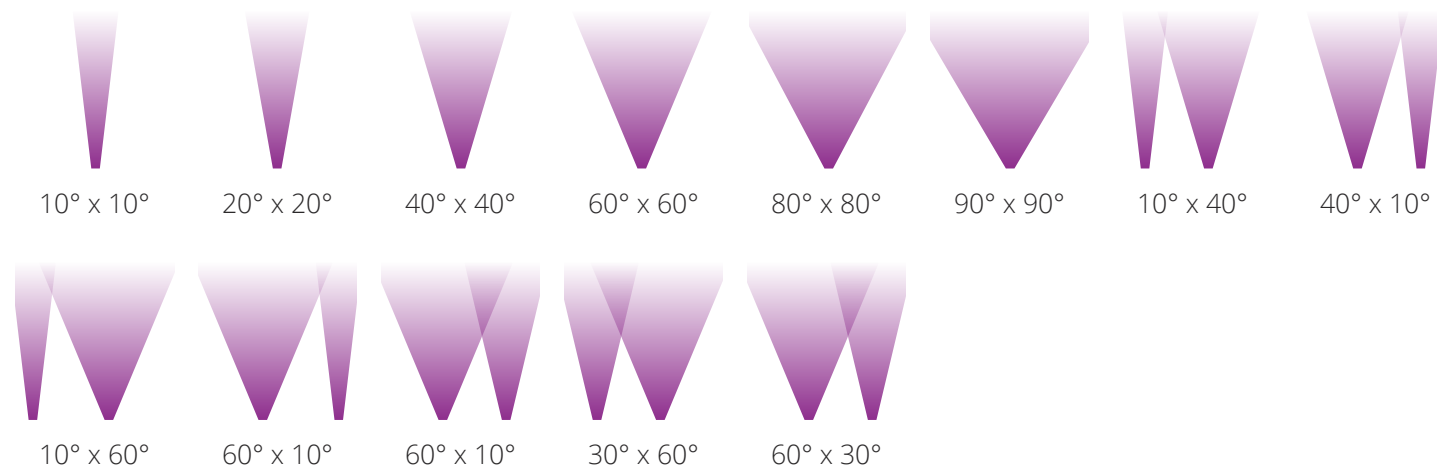


RGBW-IM

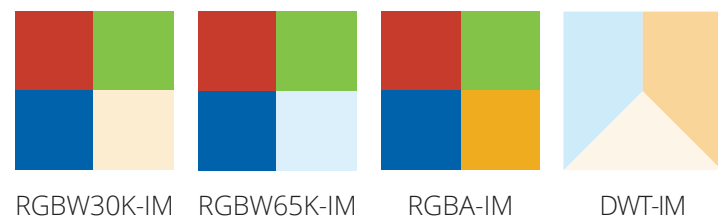
INNER-MIXING COLOR-CHANGING LED TECHNOLOGY

4-in-1 LEDs color mix inside the optic to achieve uniform color directly adjacent to the luminaire, and color-matched with STR9® COLOR-CHANGING RGBW.

OPTICAL DISTRIBUTIONS



LED COLORS



FL200™ RGBW-IM

RGBW INNER-MIXING
ARCHITECTURAL SPOT & FLOOD
LED LIGHT

SPECIFICATIONS

DELIVERED LUMENS: up to 10,400 lm

EFFICACY: up to 52 lm/W

LIGHT SOURCE: 36 x High Power 4 in 1 LEDs

CRI: 70

POWER: 200~235W

INPUT VOLTAGE: ELV (48VDC), INF (380VDC) or AC (85~264VAC or 85~277VAC)

WEIGHT: 8.5kg (18.7lbs)

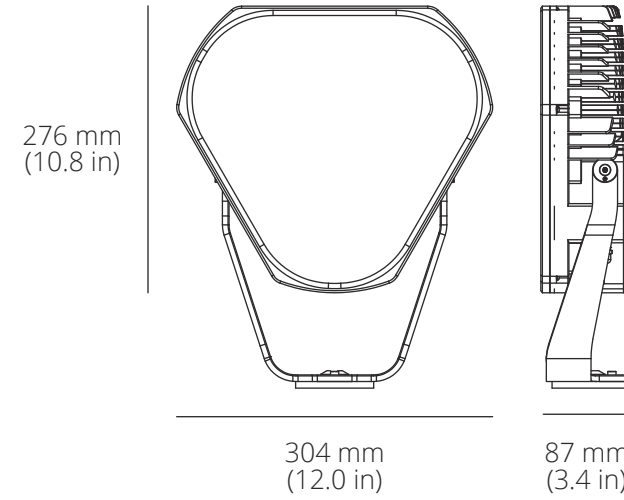
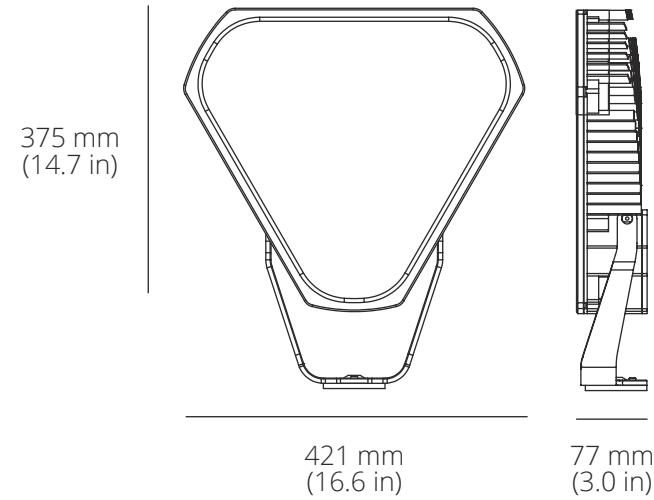
CONTROL: DMX, DALI, 0-10V via GVA power-data equipment

PROJECTED LIFETIME: L70 > 60,000hrs @ T_a = 50°C (122°F)

OPERATING TEMPERATURE: -40°C to +50°C (-40°F to +122°F)

ENVIRONMENT: Dry, Damp or Wet Locations, 0-100% humidity

IEC CLASS: Class 1 LED Luminaire



FL100™ RGBW-IM

RGBW INNER-MIXING
ARCHITECTURAL SPOT & FLOOD
LED LIGHT

SPECIFICATIONS

DELIVERED LUMENS: up to 5,100 lm

EFFICACY: up to 51 lm/W

LIGHT SOURCE: 18 x High Power 4 in 1 LEDs

CRI: 70

POWER: 100~120W

INPUT VOLTAGE: ELV (48VDC), INF (380VDC) or AC (85~264VAC or 85~277VAC)

WEIGHT: 5.0 kg (11 lbs)

CONTROL: DMX, DALI, 0-10V via GVA power-data equipment

PROJECTED LIFETIME: L70 > 60,000hrs @ T_a = 50°C (122°F)

OPERATING TEMPERATURE: -40°C to +50°C (-40°F to +122°F)

ENVIRONMENT: Dry, Damp or Wet Locations, 0-100% humidity

IEC CLASS: Class 1 LED Luminaire



FL50™ RGBW-IM

RGBW INNER-MIXING
ARCHITECTURAL SPOT & FLOOD
LED LIGHT

SPECIFICATIONS

DELIVERED LUMENS: up to 3,000 lm

EFFICACY: up to 60 lm/W

LIGHT SOURCE: 12 x High Power 4 in 1 LEDs

CRI: 70

POWER: 50~60W

INPUT VOLTAGE: ELV (48VDC), INF (380VDC) or AC (85~264VAC or 85~277VAC)

WEIGHT: 3.0 kg (6.6 lbs)

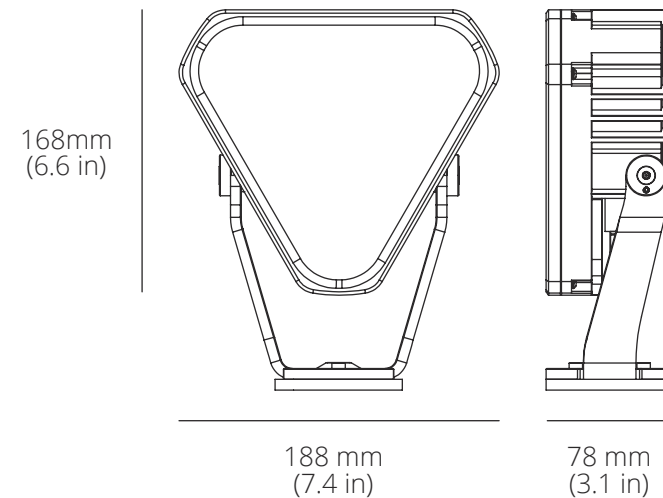
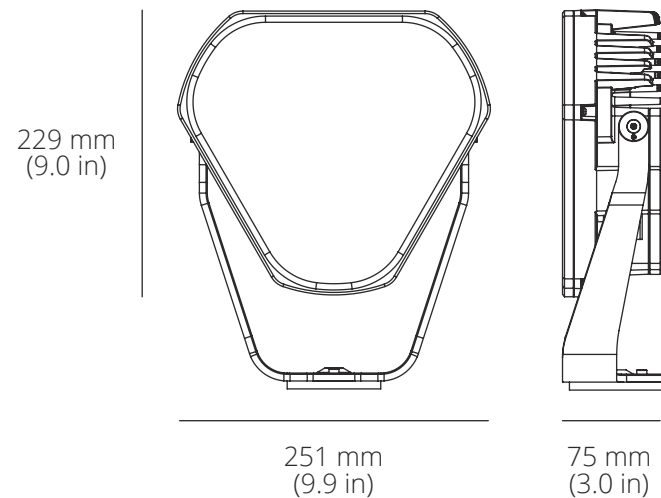
CONTROL: DMX, DALI, 0-10V via GVA power-data equipment

PROJECTED LIFETIME: L70 > 60,000hrs @ T_a = 50°C (122°F)

OPERATING TEMPERATURE: -40°C to +50°C (-40°F to +122°F)

ENVIRONMENT: Dry, Damp or Wet Locations, 0-100% humidity

IEC CLASS: Class 1 LED Luminaire



FL25™ RGBW-IM

RGBW INNER-MIXING
ARCHITECTURAL SPOT & FLOOD
LED LIGHT

SPECIFICATIONS

DELIVERED LUMENS: up to 1,300 lm

EFFICACY: up to 52 lm/W

LIGHT SOURCE: 6 x High Power 4 in 1 LEDs

CRI: 70

POWER: 25~30W

INPUT VOLTAGE: ELV (48VDC), INF (380VDC) or AC (85~277VAC)

WEIGHT: 2.0 kg (4.4 lbs)

CONTROL: DMX, DALI, 0-10V via GVA power-data equipment

PROJECTED LIFETIME: L70 > 60,000hrs @ T_a = 50°C (122°F)

OPERATING TEMPERATURE: -40°C to +50°C (-40°F to +122°F)

ENVIRONMENT: Dry, Damp or Wet Locations, 0-100% humidity

IEC CLASS: Class 1 LED Luminaire



BRAVE'S STADIUM, SUNTRUST PARK

FL100 RGBW-IM

For this project GVA Lighting supplied a variety of products including STR9® MONO, GORO™ Pendant as well as HIGHLIGHTER® DL, however, the most prominent are 150 FL100™ RGBW-IM flood lights featuring a 40° beam angle illuminating the underside of the canopy that is extending above the spectator seating area. All FL100™ fixtures were equipped with COLOR-AMP® Technology for maximum lumen output. Compatibility with DMX protocol ensures virtually limitless effect possibilities.

LOCATION: Atlanta, USA

OPTICAL DISTRIBUTION: 40°

QUANTITY OF PRODUCT: 150

LIGHTING DESIGNER: Illume / ME Engineers

ARCHITECT: POPULOUS Inc.



Brave's Stadium, SunTrust Park | Atlanta, USA

CELEBRATION SQUARE

FL100™ RGBW-IM & FL50™ RGBW-IM

Located in the heart of downtown Mississauga is the award-winning Celebration Square, a venue which hosts a variety of events year-round. A range of GVA Lighting luminaires were specified for this project, including FL100™ RGBW-IM luminaires to illuminate the dramatic clock tower and FL50™ RGBW-IM luminaires to cast festive color-changing light onto the outdoor skating rink.

LOCATION: Mississauga, Canada

LED COLOR: RGBW30K

LIGHTING DESIGNER: Rafael Correa, Smith + Andersen

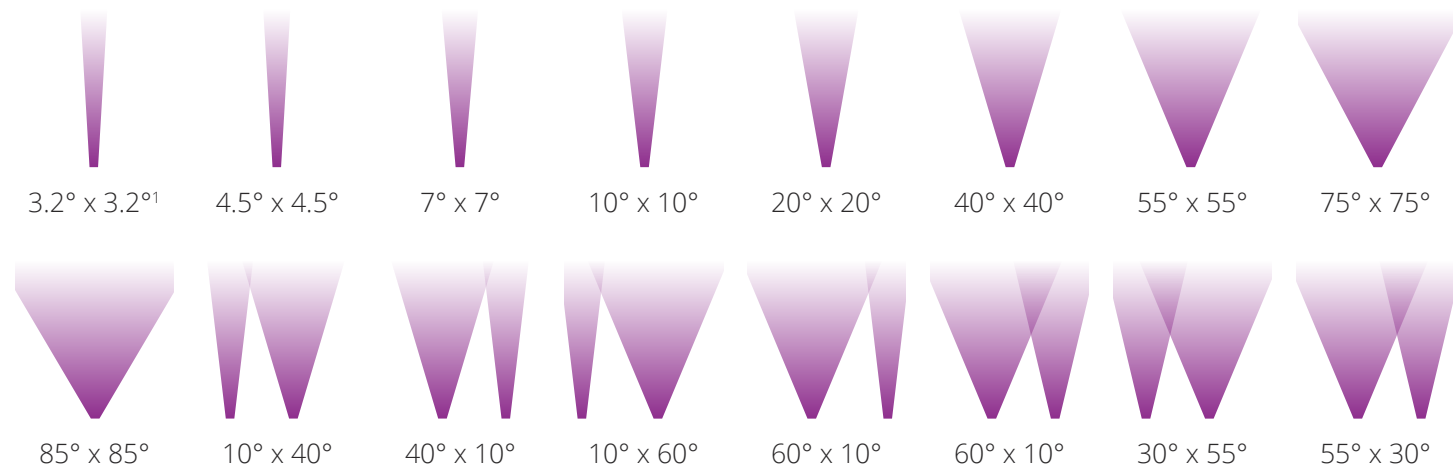


RGBW-OM

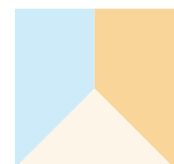
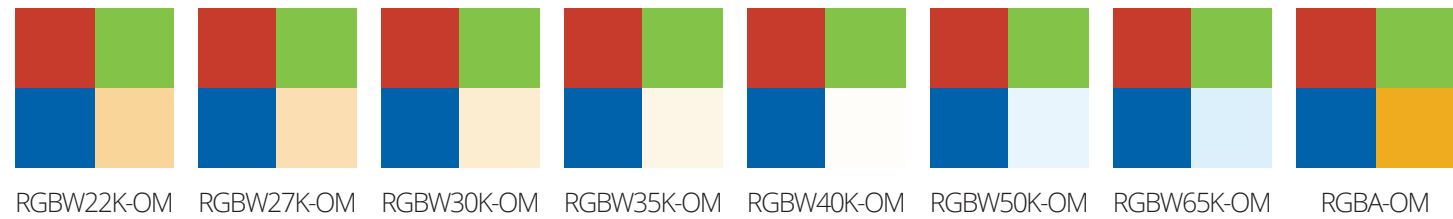
OUTER-MIXING COLOR-CHANGING LED TECHNOLOGY

Different colored LEDs mix outside the fixture to achieve color-changing light available in an ultra narrow 3.2° optical distribution configuration¹ or as narrow as 4.5° with opportunity to customize LED selection beyond standard configurations listed.

OPTICAL DISTRIBUTIONS

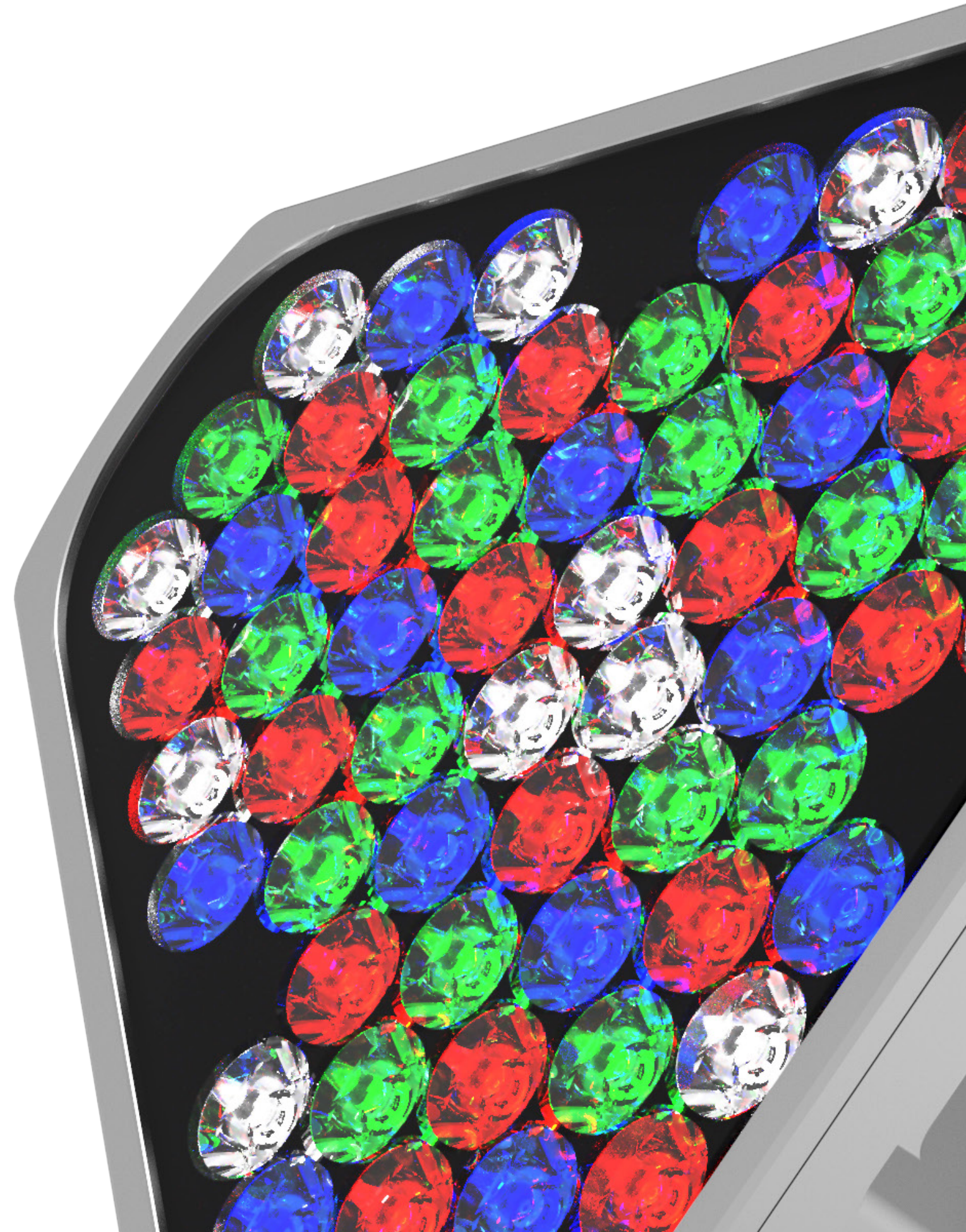


LED COLORS



DWT-OM

1. 3.2° optical distribution option available with RGBW65K-OM and RGBA-OM LED color options only.

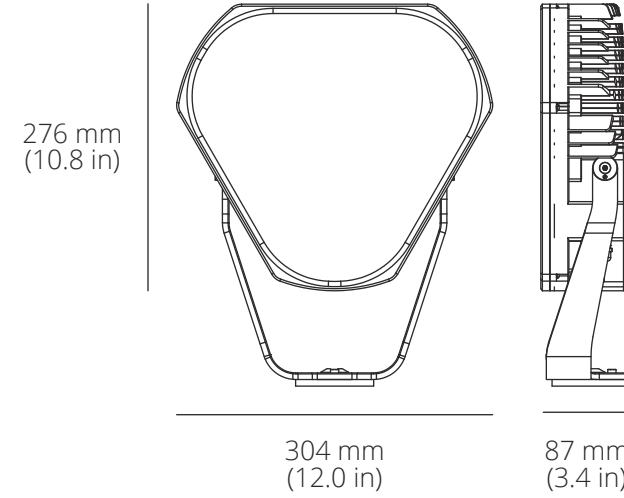
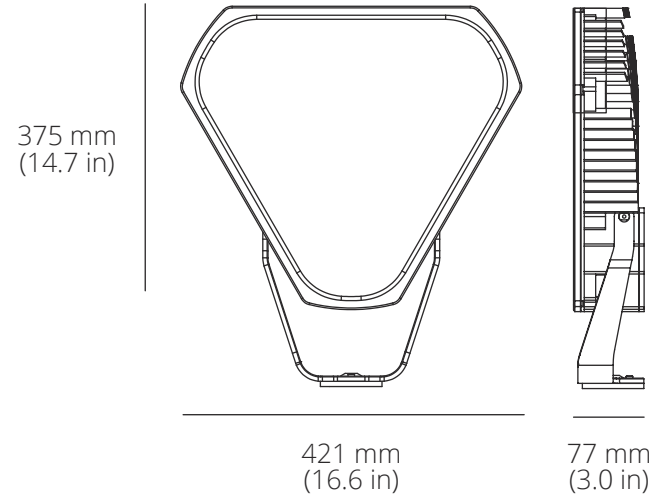


FL200™ RGBW-OM

RGBW OUTER-MIXING
ARCHITECTURAL SPOT & FLOOD
LED LIGHT

SPECIFICATIONS

- DELIVERED LUMENS:** up to 9,200 lm
- EFFICACY:** up to 46 lm/W
- LIGHT SOURCE:** 69 x High Power LEDs
- CRI:** 80 or 90
- POWER:** 200~235W
- INPUT VOLTAGE:** ELV (48VDC), INF (380VDC) or AC (85~264VAC or 85~277VAC)
- WEIGHT:** 8.5kg (18.7lbs)
- CONTROL:** DMX, DALI, 0-10V via GVA power-data equipment
- PROJECTED LIFETIME:** L70 > 60,000hrs @ T_a = 50°C (122°F)
- OPERATING TEMPERATURE:** -40°C to +50°C (-40°F to +122°F)
- ENVIRONMENT:** Dry, Damp or Wet Locations, 0-100% humidity
- IEC CLASS:** Class 1 LED Luminaire



FL100™ RGBW-OM

RGBW OUTER-MIXING
ARCHITECTURAL SPOT & FLOOD
LED LIGHT

SPECIFICATIONS

- DELIVERED LUMENS:** up to 4,600 lm
- EFFICACY:** up to 46 lm/W
- LIGHT SOURCE:** 36 x High Power LEDs
- CRI:** 80 or 90
- POWER:** 100~120W
- INPUT VOLTAGE:** ELV (48VDC), INF (380VDC) or AC (85~264VAC or 85~277VAC)
- WEIGHT:** 5.0 kg (11 lbs)
- CONTROL:** DMX, DALI, 0-10V via GVA power-data equipment
- PROJECTED LIFETIME:** L70 > 60,000hrs @ T_a = 50°C (122°F)
- OPERATING TEMPERATURE:** -40°C to +50°C (-40°F to +122°F)
- ENVIRONMENT:** Dry, Damp or Wet Locations, 0-100% humidity
- IEC CLASS:** Class 1 LED Luminaire



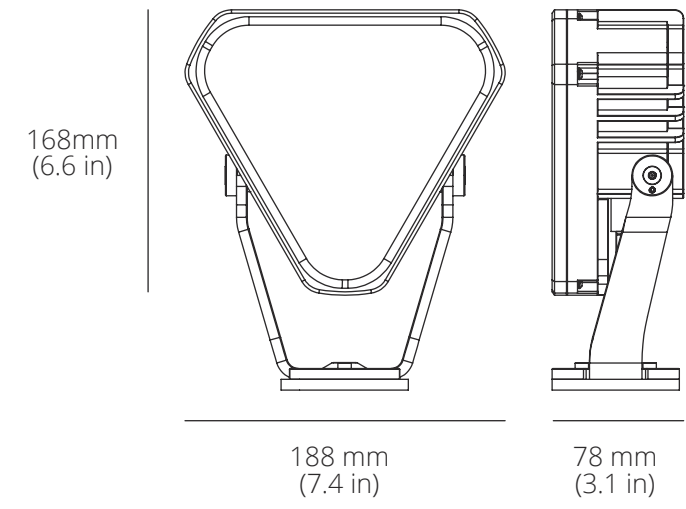
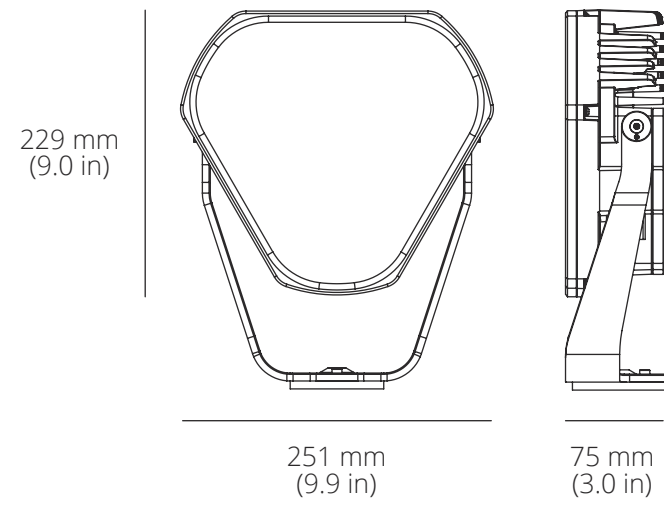
1. COLOR-AMP® Technology available with RGBW65K-OM and RGBA-OM LED color options only.

FL50™ RGBW-OM

RGBW OUTER-MIXING
ARCHITECTURAL SPOT & FLOOD
LED LIGHT

SPECIFICATIONS

- DELIVERED LUMENS:** up to 2,400 lm
- EFFICACY:** up to 48 lm/W
- LIGHT SOURCE:** 18 x High Power LEDs
- CRI:** 80 or 90
- POWER:** 50~60W
- INPUT VOLTAGE:** ELV (48VDC), INF (380VDC) or AC (85~264VAC or 85~277VAC)
- WEIGHT:** 3.0 kg (6.6 lbs)
- CONTROL:** DMX, DALI, 0-10V via GVA power-data equipment
- PROJECTED LIFETIME:** L70 > 60,000hrs @ T_a = 50°C (122°F)
- OPERATING TEMPERATURE:** -40°C to +50°C (-40°F to +122°F)
- ENVIRONMENT:** Dry, Damp or Wet Locations, 0-100% humidity
- IEC CLASS:** Class 1 LED Luminaire



FL25™ RGBW-OM

RGBW OUTER-MIXING
ARCHITECTURAL SPOT & FLOOD
LED LIGHT

SPECIFICATIONS

- DELIVERED LUMENS:** up to 1,000 lm
- EFFICACY:** up to 40 lm/W
- LIGHT SOURCE:** 10 x High Power LEDs
- CRI:** 80 or 90
- POWER:** 25~30W
- INPUT VOLTAGE:** ELV (48VDC), INF (380VDC) or AC (85~277VAC)
- WEIGHT:** 2.0 kg (4.4 lbs)
- CONTROL:** DMX, DALI, 0-10V via GVA power-data equipment
- PROJECTED LIFETIME:** L70 > 60,000hrs @ T_a = 50°C (122°F)
- OPERATING TEMPERATURE:** -40°C to +50°C (-40°F to +122°F)
- ENVIRONMENT:** Dry, Damp or Wet Locations, 0-100% humidity
- IEC CLASS:** Class 1 LED Luminaire



1. COLOR-AMP® Technology available with RGBW65K-OM and RGBA-OM LED color options only.



GVA
L I G H T I N G
gvalighting.com

sales@gvalighting.com · gvalighting.com · +1 905 569 6044 · +1 877 482 5448

© 2020 GVA Lighting. All rights reserved.
Product & company names mentioned herein may be trademarks or registered trademarks
of their respective owners. Errors & omissions excepted.